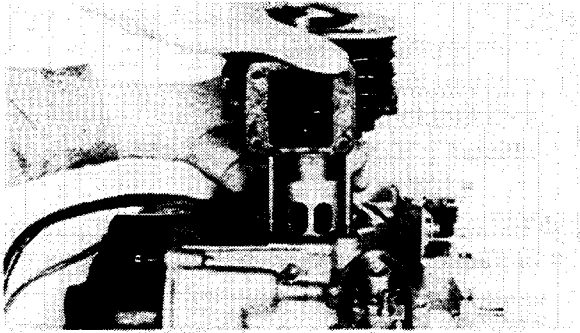
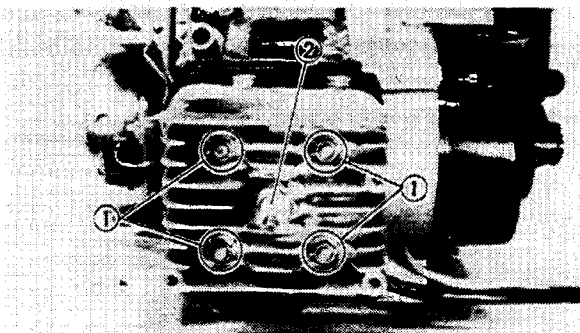


NOTE:
Offset the piston ring end as shown, before installing the cylinder.

- ① Top ring
- ② 2nd ring




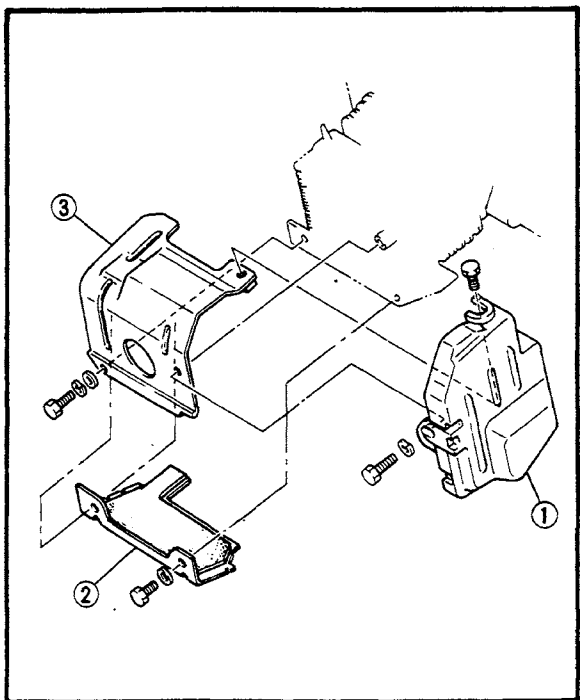
NOTE:
Install the cylinder with one hand while compressing the piston rings with the other hand.




4. Tighten:
- Nut ① (Cylinder head)
 - Spark plug ②

NOTE:
Tighten the cylinder head holding nuts in stage, using a crisscross pattern.

	Nut (Cylinder head): 18 Nm (1.8 m·kg, 13 ft·lb)
	Spark Plug: 20 Nm (2.0 m·kg, 14 ft·lb)



5. Install:
- Air shroud ①
 - Air shroud ②
 - Air shroud ③

	Bolt (Air shroud): 9 Nm (0.9 m·kg, 6.5 ft·lb)
---	---