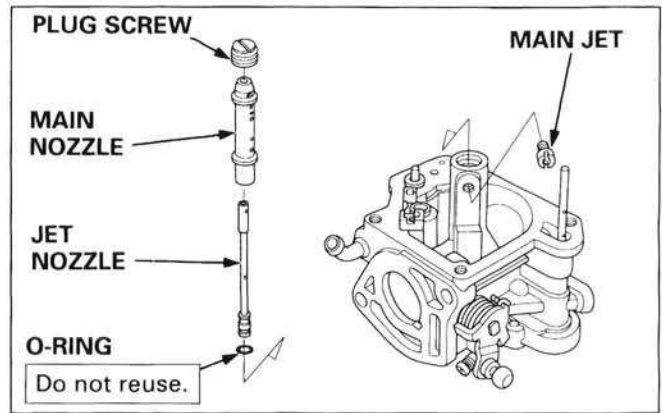
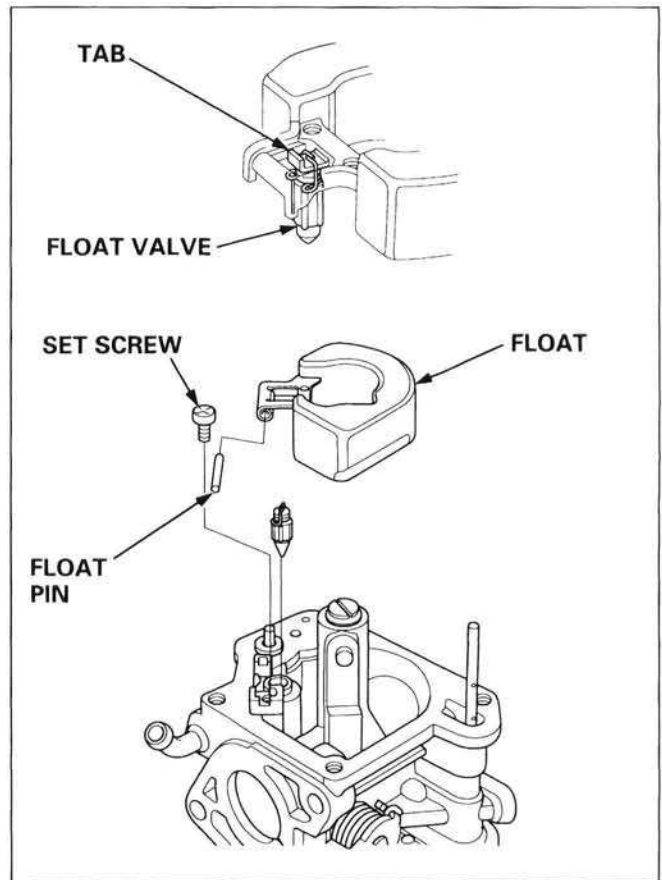


- 1) Install a new O-ring to the jet nozzle.
- 2) Install the jet nozzle and main nozzle and secure them with the plug screw.
- 3) Install the main jet.
 - Take care not to damage the jet and nozzle when handling it.



- 4) Install the float valve to the float tab as shown.
- 5) Insert the float pin to the float and set them onto the carburetor body and secure them with the set screw.



- 6) Install the spring and accelerator piston and secure the piston with the set screw.

